



### Model Number

**KCT2-6ST-V**

### Features

- Counter/Timer/Tachometer
- Extremely bright, large LED indicator
- 1 pre-select value with transistor output
- PNP and NPN sensors can be connected
- Adding/subtracting via 2 separate inputs
- Protection degree IP65 (front only)

## Technical data

### General specifications

Pre-selection	single
Data storage	10 <sup>6</sup> storage cycles or 10 years, EEPROM
Programming	keypad-driven menu

### Functional safety related parameters

MTTF <sub>d</sub>	330 a
Mission Time (T <sub>M</sub> )	10 a
Diagnostic Coverage (DC)	0 %

### Indicators/operating means

Type	7-segment LED display, red
Number of decades	6
Display value	digit height 14 mm
Pre-selection	active at counter value ≤ 0
Key interlock	-
Display interval	-199999 ... 999999 with suppression of leading zeros
Decimal point	0 to max 3 fractional digits
Scale factor	0.0001 ... 99.9999
Reset	manually or external

### Electrical specifications

Operating voltage	U <sub>B</sub>	90 ... 260 V AC
Power consumption	P <sub>0</sub>	max. 6 VA

### Input

Counting frequency	30 Hz / 20 kHz (max. 11 kHz when counting with phase discriminator)
Minimum pulse duration	5 ms for reset input
Impedance	10 kOhm
Voltage	low: 0 ... 4 V DC ; high: 12 ... 30 V DC
Counting method	adding or subtracting

### Output

Sensor supply	24 V DC ± 15 % / 100 mA
Response time	6 ms
Optocoupler	NPN, open collector and open emitter 30 V / 15 mA

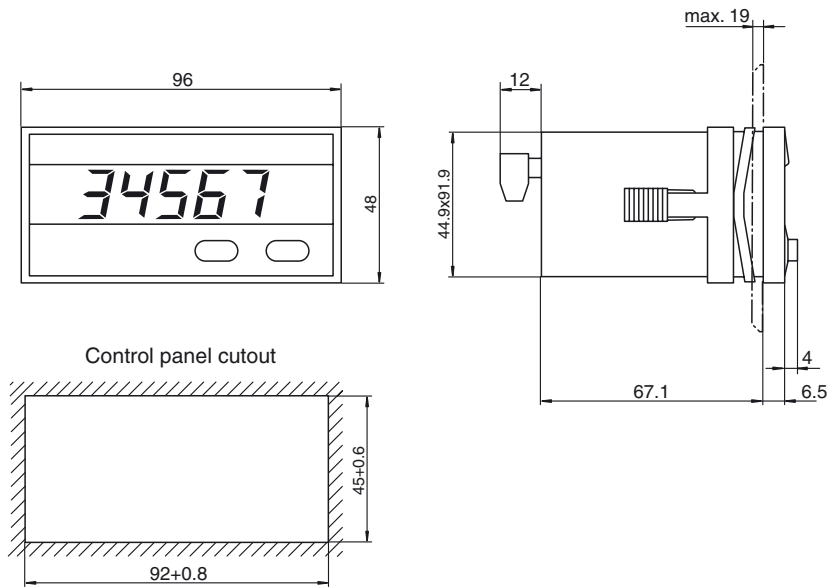
### Ambient conditions

Ambient temperature	-20 ... 65 °C (253 ... 338 K)
Storage temperature	-25 ... 70 °C (248 ... 343 K)
Relative humidity	≤ 80 % (non-condensing)

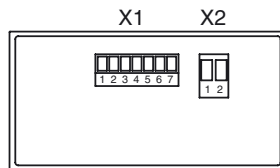
### Mechanical specifications

Connection	2-pin and 7-pin plug-in connection terminals, core cross-section ≤ 1.5 mm <sup>2</sup>
Mass	approx. 150 g
Dimensions	96 mm x 48 mm x 90 mm
Mounting	latch fastener (dimension 48 mm x 100 mm)

Dimensions



Electrical connection



Connection assignment X2

Terminal No.	AC version
1	Power supply 90 ... 260 V AC
2	Power supply 90 ... 260 V AC

Connection assignment X1

Terminal No.	AC version
1	Optocoupler collector output
2	Optocoupler emitter output
3	SET
4	INP B
5	INP A
6	GND
7	+24 V out